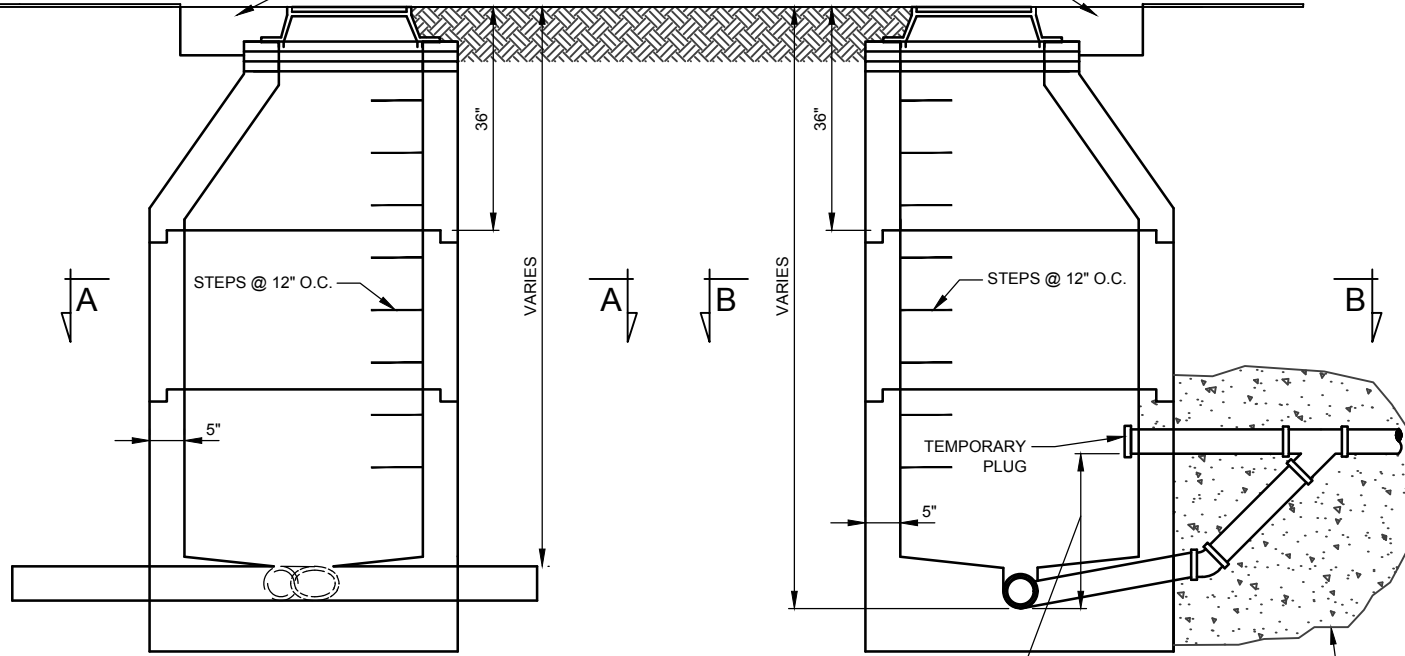
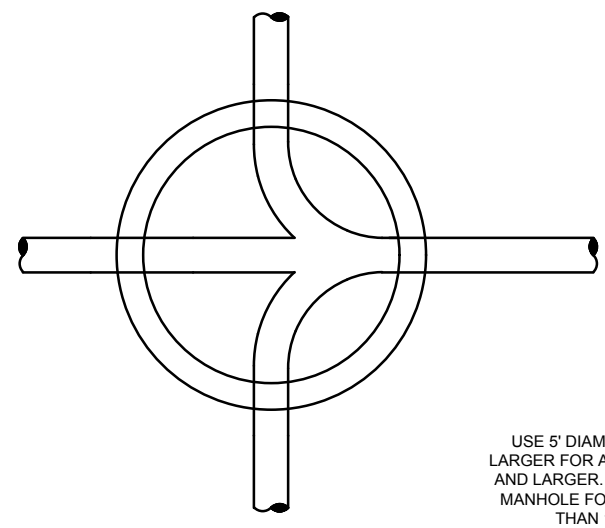


CONCRETE COLLAR PER STANDARD DRAWING "UTILITIES 4". FOR NON-TRAVELED AREAS, CONCRETE COLLAR PER CITY ENGINEERS DIRECTION



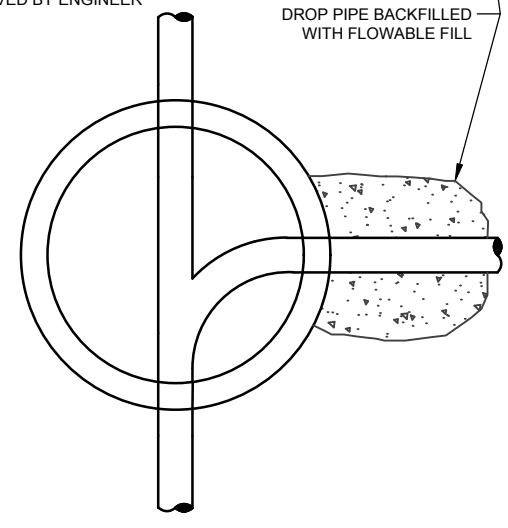
DROP MANHOLE SHALL BE REQUIRED WHEN INVERTS DIFFER BY 24" OR AS APPROVED BY ENGINEER

DROP PIPE BACKFILLED WITH FLOWABLE FILL



SECTION A-A

JUNCTION MANHOLE



SECTION B-B

DROP MANHOLE

USE 5" DIAMETER MANHOLE OR LARGER FOR ALL PIPE 14" DIAMETER AND LARGER. USE 4" MIN DIAMETER MANHOLE FOR ALL PIPE SMALLER THAN 14" DIAMETER.

JUNCTION & DROP MANHOLES

V:\ENGR\Std\StdSpec\SidSpec 2019\Drawg Files\SEWER-3.dwg - SEWER-3 - 2/06/2019 10:39am - rfunk

HORROCKS ENGINEERS 728 WEST 100 SOUTH #2 HEBER CITY, UTAH 84032 (435) 654-2226	DATE: FEBRUARY 2019		HEBER CITY STANDARD DRAWING SEWER-3
	SCALE: N.T.S.		